

Congresses, courses and symposia



International symposium Osteology Barcelona

17–18 February 2017
Venue: Barcelona, Spain
www.osteology-barcelona2017.org



IDS 2017

21–25 March 2017
Venue: Cologne, Germany
www.ids-cologne.de



ITI World Symposium

4–6 May 2017
Venue: Basel, Switzerland
www.iti.org/worldsymposium2017



3rd Annual Meeting of ISMI

5–6 May 2017
Venue: Konstanz, Germany
www.ismi-meeting.com



47th International Annual DGZI Congress

29–30 September 2017
Venue: Berlin, Germany
www.dgzi-jahreskongress.de

implants

international magazine of oral implantology



Imprint

Publisher

Torsten R. Oemus
oemus@oemus-media.de

CEO

Ingolf Döbbecke
doebbecke@oemus-media.de

Members of the Board

Jürgen Isbaner
isbaner@oemus-media.de

Lutz V. Hiller

hiller@oemus-media.de

Chief Editorial Manager

Dr Torsten Hartmann (V. i. S. d. P.)
hartmann@dentalnet.de

Editorial Council

Dr Rolf Vollmer
info.vollmer@t-online.de

Dr Georg Bach

doc.bach@t-online.de

Prof (CAI) Dr Roland Hille

dr-hille@t-online.de

Dr Suheil Boutros

SMBoutros@aol.com

Editorial Office

Georg Isbaner
g.isbaner@oemus-media.de

Claudia Jahn

c.jahn@oemus-media.de

Executive Producer

Gernot Meyer
meyer@oemus-media.de

Product Manager

Timo Krause
t.krause@oemus-media.de

Designer

Sandra Ehnert
s.ehnert@oemus-media.de

Theresa Weise

t.weise@oemus-media.de

Customer Service

Marius Mezger
m.mezger@oemus-media.de

Published by

OEMUS MEDIA AG
Holbeinstraße 29
04229 Leipzig, Germany
Tel.: +49 341 48474-0
Fax: +49 341 48474-290
kontakt@oemus-media.de

Printed by

Silber Druck oHG
Am Waldstrauch 1
34266 Niestetal, Germany

implants

international magazine of oral implantology is published in cooperation with the German Association of Dental Implantology (DGZI).

DGZI

DGZI Central Office
Paulusstraße 1
40237 Düsseldorf, Germany
Tel.: +49 211 16970-77
Fax: +49 211 16970-66
office@dgzi-info.de

www.dgzi.de

www.oemus.com

www.implants.de

Copyright Regulations

implants international magazine of oral implantology is published by OEMUS MEDIA AG and will appear in 2016 with one issue every quarter. The magazine and all articles and illustrations therein are protected by copyright. Any utilization without the prior consent of editor and publisher is inadmissible and liable to prosecution. This applies in particular to duplicate copies, translations, microfilms, and storage and processing in electronic systems. Reproductions, including extracts, may only be made with the permission of the publisher. Given no statement to the contrary, any submissions to the editorial department are understood to be in agreement with a full or partial publishing of said submission. The editorial department reserves the right to check all submitted articles for formal errors and factual authority, and to make amendments if necessary. No responsibility shall be taken for unsolicited books and manuscripts. Articles bearing symbols other than that of the editorial department, or which are distinguished by the name of the author, represent the opinion of the afore-mentioned, and do not have to comply with the views of OEMUS MEDIA AG. Responsibility for such articles shall be borne by the author. Responsibility for advertisements and other specially labeled items shall not be borne by the editorial department. Likewise, no responsibility shall be assumed for information published about associations, companies and commercial markets. All cases of consequential liability arising from inaccurate or faulty representation are excluded. General terms and conditions apply, legal venue is Leipzig, Germany.

“smart designs
brave smiles”

T6

Angled screw-abutment mating surface prevents screw loosening. Screw must be tightened to 30 Ncm.

Distinct platform switch

Angled bone condensation platform

Strong side walls

Micro threads

Two angled abutment-implant contact surfaces positioned at different levels.

1. 20° Angled First Contact Surface:

Provides even distribution of both lateral and axial forces along the implant body. Furthermore minimizes the abutment micro movement under lateral forces.

2. 15° Angled First Contact Surface:

Secondary barrier positioned 2 mm deep within the implant for resisting the forces in case unexpected coronal bone loss. A design feature for additional safety.

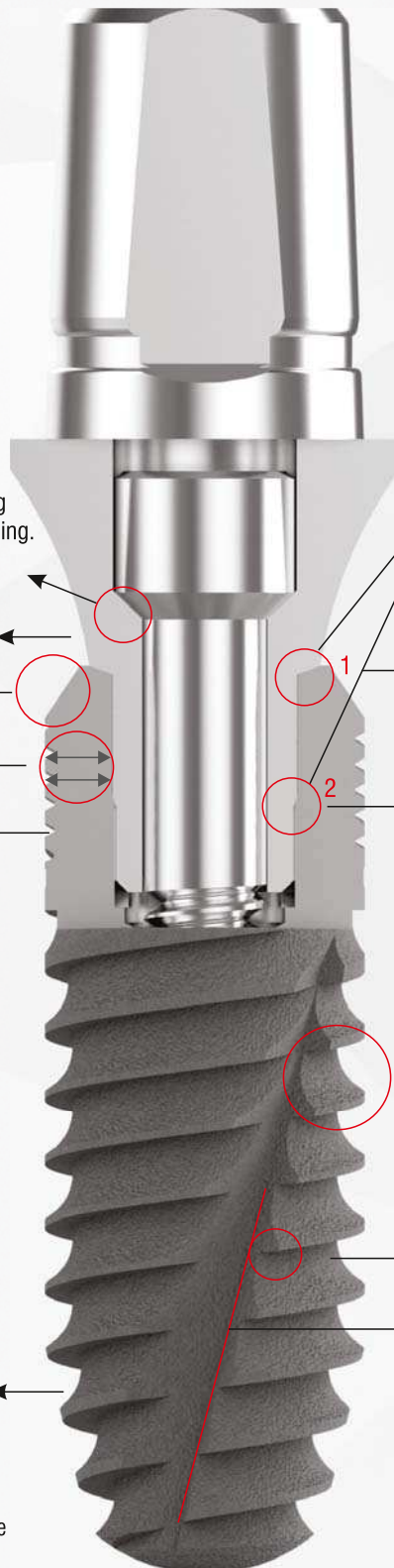
Double thread and reverse buttress design allows easier insertion.

Self cutting threads

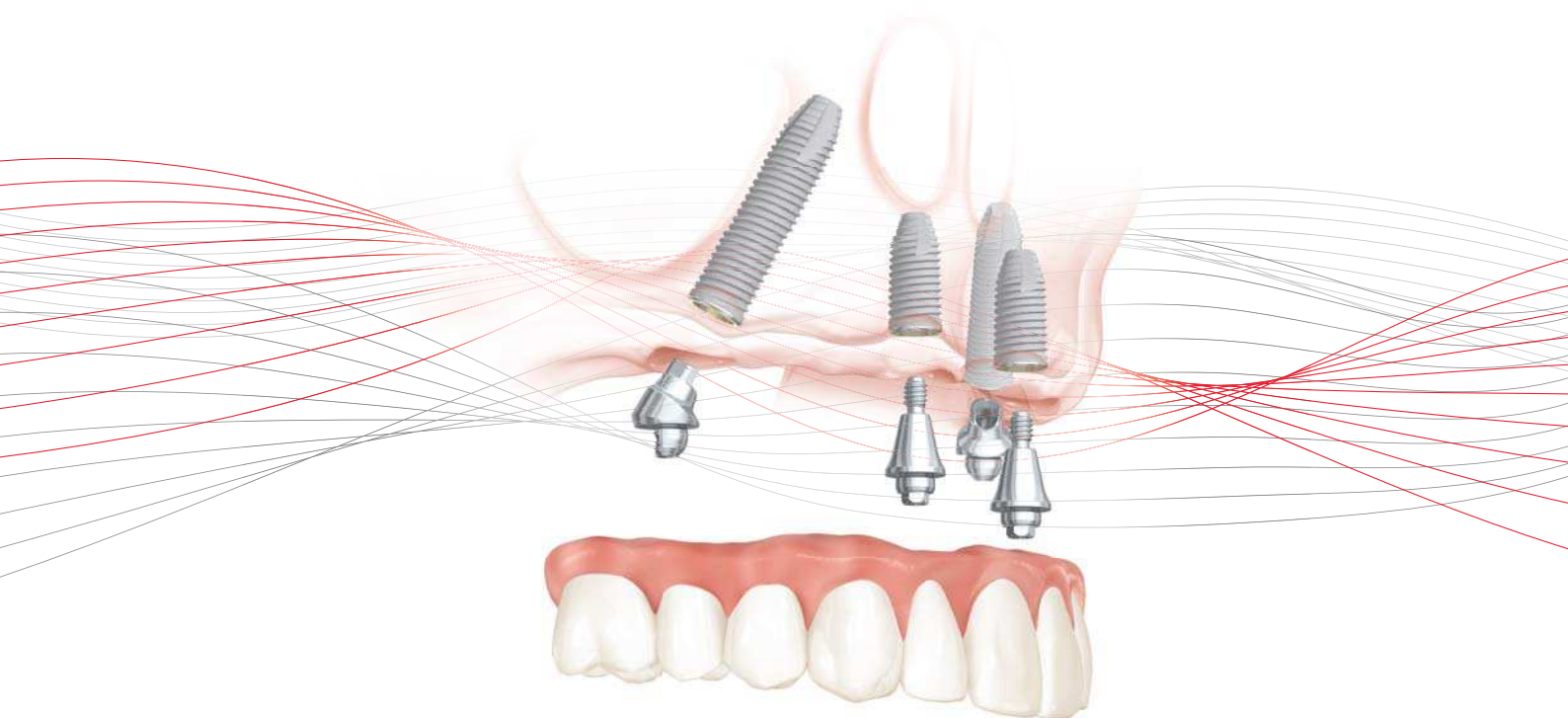
Reservoir for the bone remnants during insertion



maxicell® Surface



Original. Proven. Life changing.



The All-on-4[®] treatment concept

Four implants. A fixed full-arch provisional prosthesis. Same day.*

Since it was first introduced in 1998, the All-on-4[®] treatment concept has changed the lives of hundreds of thousands of patients. Today, the concept is established as the best in its class of solutions, but only when Nobel Biocare products are combined.

Now supported by 34 clinical studies featuring 2400 patients, many have tried to mirror this groundbreaking concept, but only Nobel Biocare has the scientifically documented success to back it up.

Offer your patient life-changing treatment you can both rely on.

*Provided stability criteria for immediate loading are fulfilled.



New All-on-4[®] treatment concept ebook

**Get your copy at
nobelbiocare.com/all-on-4ebook**

